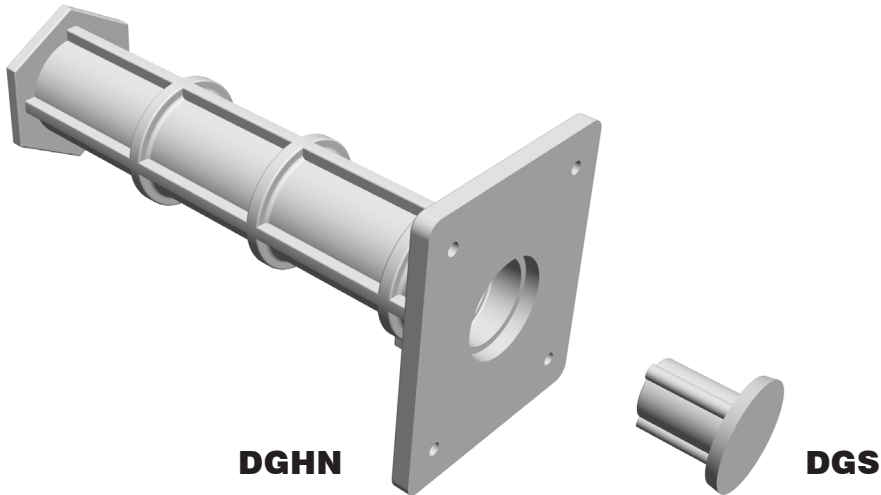




Concrete accessories

NEW



DGHN

DGS

DGH DYG-Socket

DYG-socket with internal thread and Nailing flange for anchor rods DG 15
DYG-plug to protect the thread

Article No.	Designation	For anchor rods (Ø mm)	Length (cm)	Pcs. / Bag	Pcs. / Sac
311500	DGHN 15	15	12	50	200
311502	DGS 15			50	10.000

Delivery times and prices on request.